



COBRA 230

IMPACT CRUSHER

COMPACT | EASY TO OPERATE | OPTIMAL MATERIAL FLOW

The Cobra 230 Impact Crusher is a machine that provides class leading productivity, unmatched versatility and excellent fuel efficiency. The quick set up times, simple intuitive operation and ease of transport makes this machine an ideal solution for all applications

1

HOPPER

- 2.6 m³ (3.4 cubic yards) hopper capacity
- Integrated pre-screen for fines removal
- Feeder speed auto regulates based on crusher load

4

ENGINE OPTIONS

- John Deere constant speed 194kW @ 1800rpm
- Volvo T4F 205kW @ 1800rpm

2

IMPACT CHAMBER

- Inlet opening: 860mm x 610mm (34" x 24")
- 830mm wide (33") x 860mm diameter (34") rotor
- Two independent aprons
- Hydraulic overload protection as standard
- Ease of setting adjustment

5

CONTROL SYSTEM

- Simple intuitive push button operation

3

PRODUCT CONVEYOR

- 900mm (36") wide belt
- 3.0m (9'-10") discharge height
- Removable for maintenance

6

BY-PASS CONVEYOR OPTION

- 500mm (20") wide
- 2.4m (7'-10") discharge height



CRUSHER DRIVE:

Extremely efficient diesel direct drive for optimal fuel efficiency and performance

UP TO
250
TONNES PER HOUR
(275 US TPH)

EASE OF USE



**QUICK
SETUP
TIME**



**INTUITIVE
CONTROL
SYSTEM**



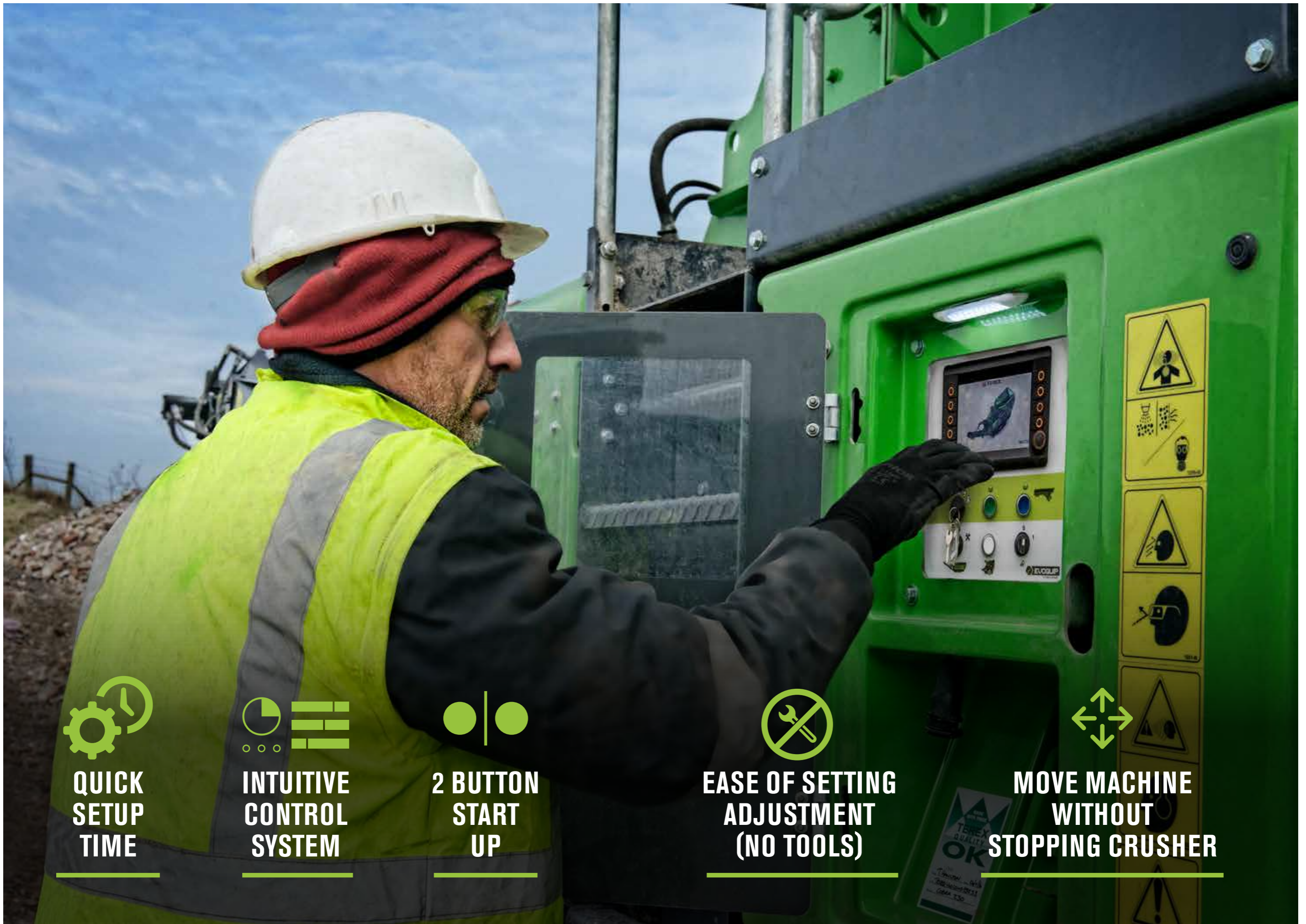
**2 BUTTON
START
UP**



**EASE OF SETTING
ADJUSTMENT
(NO TOOLS)**



**MOVE MACHINE
WITHOUT
STOPPING CRUSHER**



OPTIMAL MATERIAL FLOW



**WIDENING
MATERIAL
PATH**

2

**INDEPENDENT
HYDRAULIC
APRONS**



**EXCELLENT
UNDER CRUSHER
CLEARANCE**



**ABILITY TO
LOWER PRODUCT
CONVEYOR**

COMPACT WITH IMPACT



23.7*
TONNES
(52,250LBS)



ENGINE POWER

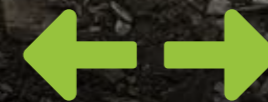
Tier 3 - 194kW / 260Hp
Tier 4 - 205 kW / 275 Hp



**IDEAL FOR
URBAN
USE**



**LOW
FEED IN
HEIGHT**



FEED SIZE
400mm³ (16in³) / 700mm
(28") diagonally
750 x 450 x 200mm



**EASY
TO
TRANSPORT**

*Weight of the constant speed machine with single pole magnet. Tier 4 machine with single pole magnet is 24 tonnes (52,911lbs)



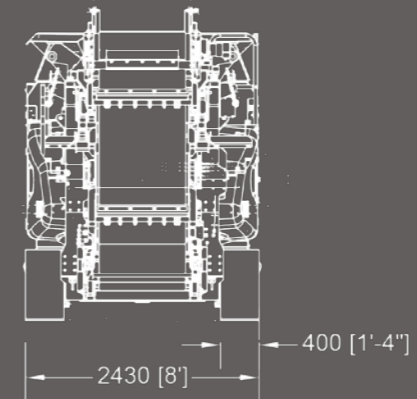
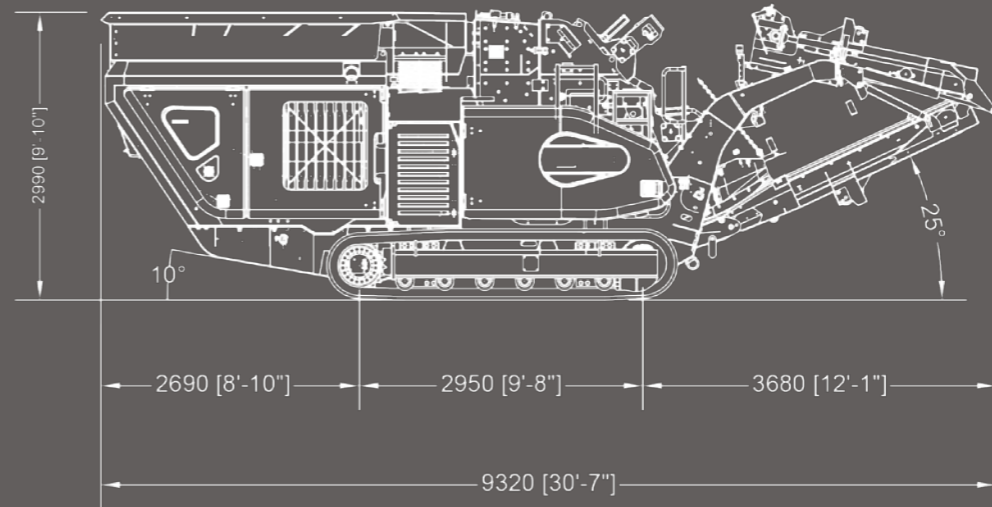
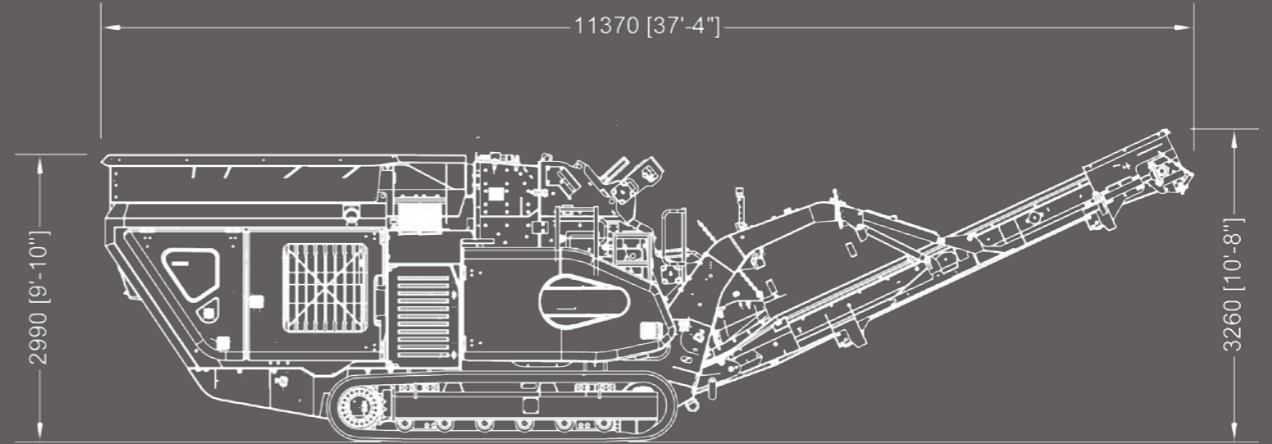
PRODUCT CONVEYOR
can be removed for maintenance



EXCELLENT
ground level access to all service points



HINGED RADIATOR PACK
to improve serviceability and aid maintenance



SERVICEABILITY

DIMENSIONS

200 Coalisland Road,
Dungannon, Co. Tyrone, BT714DR
Tel: +442887718500
Email: evoquip@terex.com



terex.com/EvoQuip

The material in this document is for information only and is subject to change without notice.

Terex assumes no liability resulting from errors or omissions in this document, or from the use of the information contained herein.

Due to continual product development we reserve the right to change specifications without notice.

Photographs are for illustrative purposes only, some or all of the machines in the illustrations may be fitted with optional extras.

Copyright 2017 Terex GB Limited. Published and Printed in September 2017.