



COLT 600

SCALPING SCREEN

COMPACT | EASY TO OPERATE | VERSATILE

OVERVIEW - COLT 600

The Colt 600 is the most compact heavy duty incline 2 deck scalping screen of the EvoQuip range enabling the unit to be transported in a shipping container and is highly mobile on site, even in built-up areas.

The multipurpose model is capable of stockpiling, scalping before and after crushing units, or as a standalone unit.

The highly aggressive screen along with various options of screening media make the Colt 600 suitable for many applications.

User benefits include a rapid set-up time and ease of operation aided by hydraulic folding side conveyors, rigid feed hopper sides and two speed tracks.



1 HOPPER

- 3.0m³ (3.9 yd³) Hopper Capacity
- 1000mm (40") wide
- Variable speed

2 SCREEN

- 2.34m x 1.17m (8' x 4') Double deck screen
- Variable stroke
- Fixed screen angle
- Wide range of screen media
- Top Deck - Bofor Deck, Fingers, Punch Plate, 3D Punch Plate & Mesh
- Bottom Deck - Mesh & Fingers
- Rubber screen blanket (optional)

4 ENGINE OPTIONS

- Tier 3: Deutz D2011 L04I - 36.4kW (48.8 Hp) @ 2300 RPM.
- Tier 4F / Stage 4: Deutz TD2.9L4 - 42kW (56 Hp) @ 1900 RPM
- Simple to operate

3 CONVEYORS

- 650mm (26") Wide fines conveyor with 2.9m (9'6") discharge
- 650mm (26") Wide midgrade conveyor with 2.8m (9'2") discharge
- 1000mm 40" Wide oversize conveyor with 2.7m (8'10") discharge

5 CONTROL SYSTEM

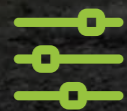
- Simple intuitive operation



VARIABLE SPEED ON FEEDER, MIDGRADE AND OVERSIZE AS STANDARD

UP TO
280
TONNES PER HOUR
(308 US TPH)

VERSATILITY



**ADJUSTABLE
STROKE**



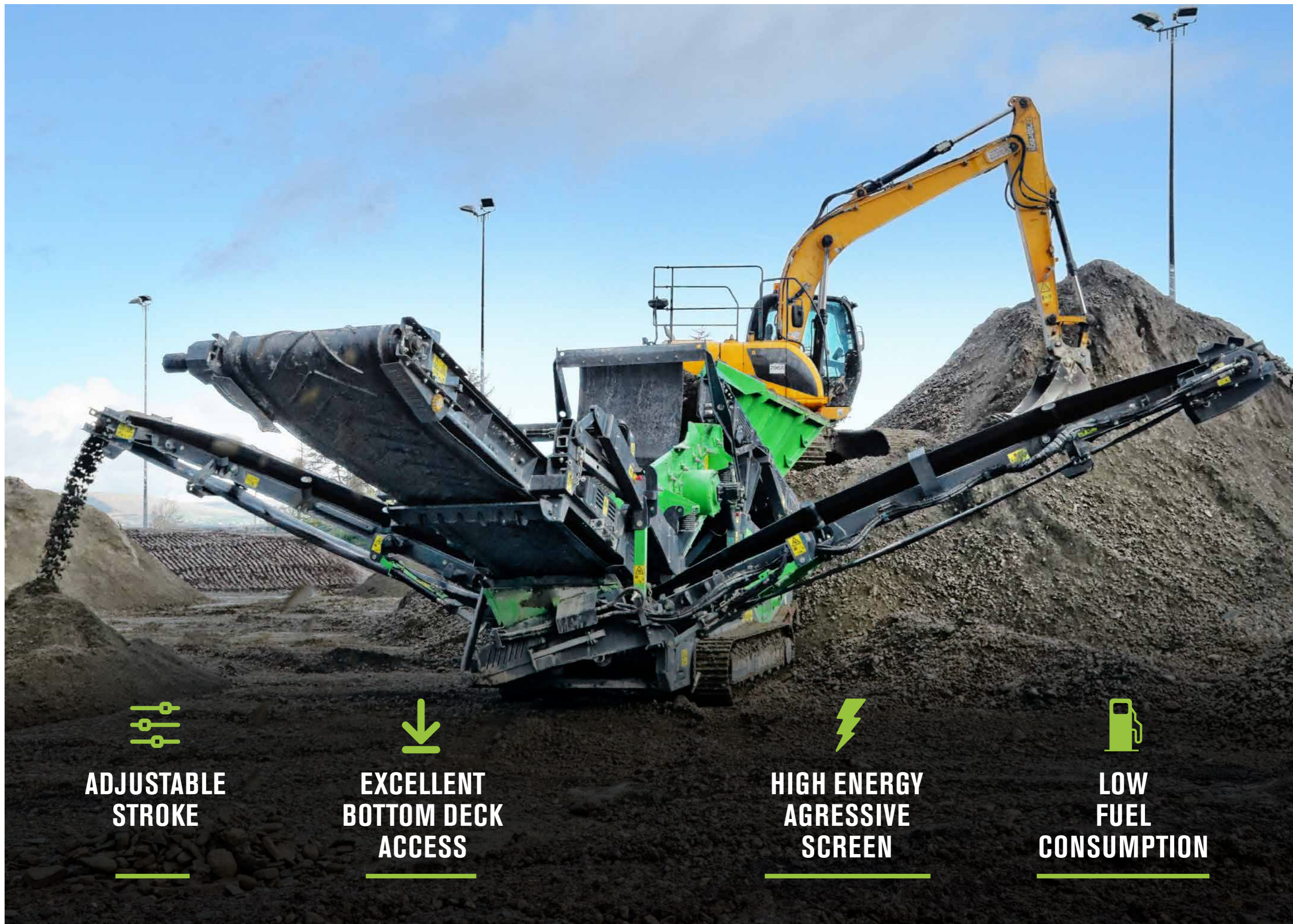
**EXCELLENT
BOTTOM DECK
ACCESS**



**HIGH ENERGY
AGGRESSIVE
SCREEN**



**LOW
FUEL
CONSUMPTION**





**INTUITIVE
CONTROL
SYSTEM**



**WIDE RANGE
OF SCREEN
MEDIA**



**QUICK
SETUP
TIME**



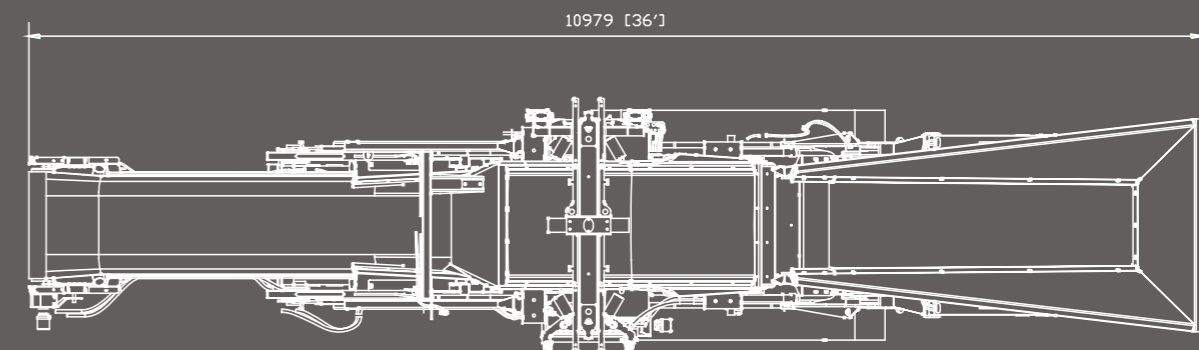
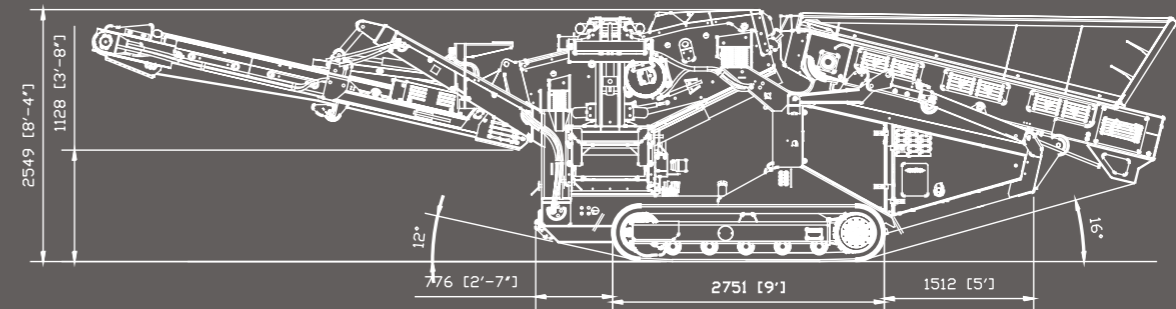
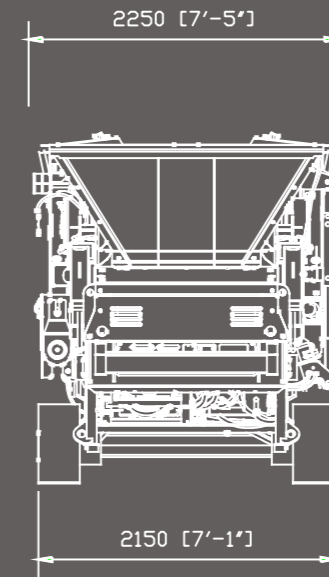
**CONTAINERISED
SHIPPING**



**IDEAL FOR
URBAN
USE**



**EASY
TO
TRANSPORT**



Weight (standard machine) 12,000kgs (26,455 lbs)

DIMENSIONS - COLT 600

200 Coalisland Road,
Dungannon, Co. Tyrone, BT714DR
Tel: +442887718500
Email: evoquip@terex.com



terex.com/EvoQuip

The material in this document is for information only and is subject to change without notice.

Terex assumes no liability resulting from errors or omissions in this document, or from the use of the information contained herein.

Due to continual product development we reserve the right to change specifications without notice.

Photographs are for illustrative purposes only, some or all of the machines in the illustrations may be fitted with optional extras.

Copyright 2019 Terex GB Limited.

Published and Printed in January 2019.