

CEDARAPIDS®
A TEREX BRAND

Portable Cone
Plant

CRC1350



A world working better™

 **TEREX®** MPS

Cedarapids®

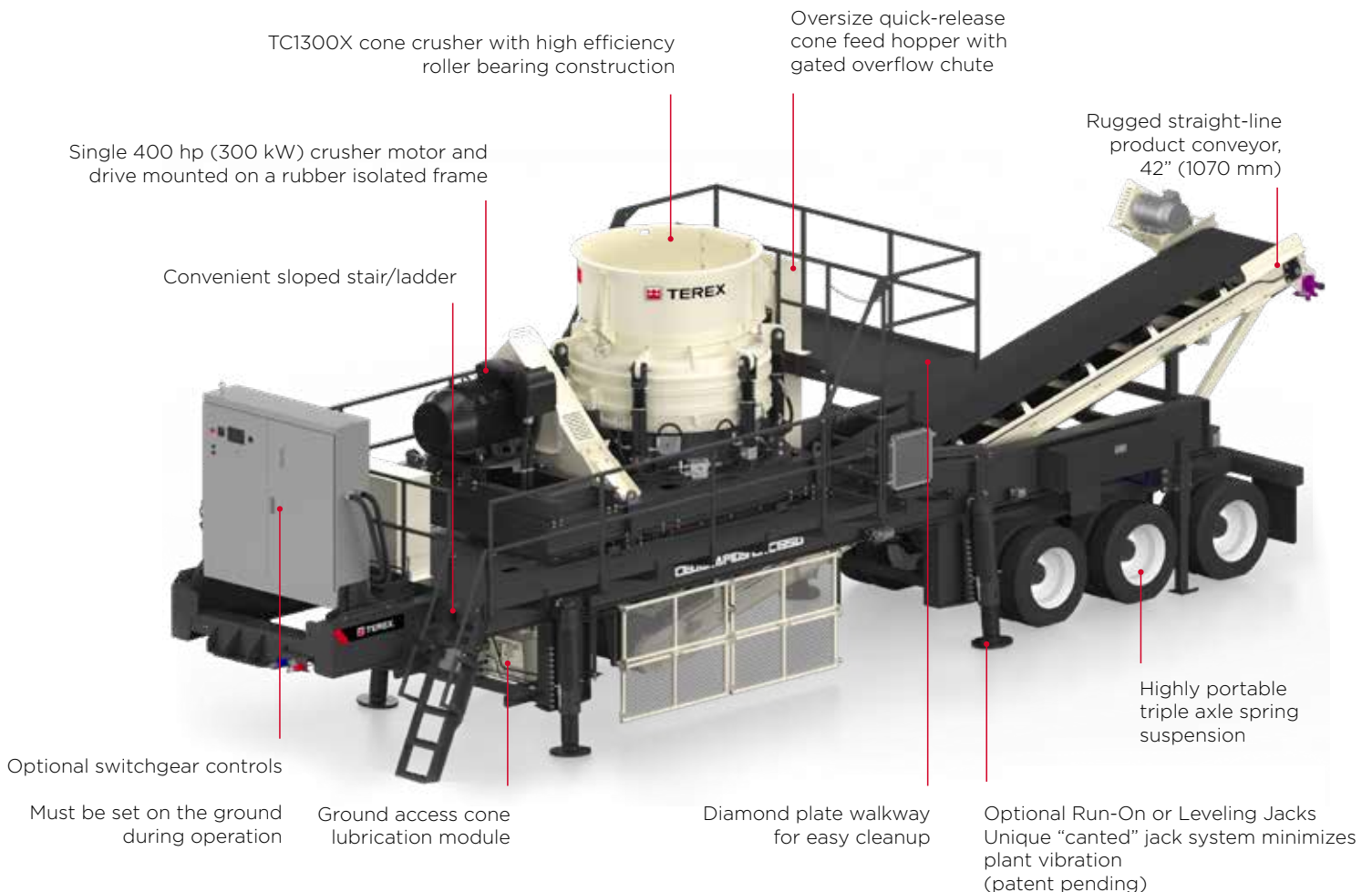
Portable Cone Plant

CRC1350

The Cedarapids® CRC1350 cone plant delivers big production at an affordable price. The highly mobile plant features the TC1300X cone crusher that utilizes high efficiency roller bearings and boasts several notable advancements that enhance performance and functionality. Key features include automated cone controls and larger closed side settings. The crusher is powered by a 400 hp (300 kW) motor and drive, all mounted on a rubber isolated frame. The plant includes an oversize cone feed hopper with overflow chute, "straight-line" undercrusher conveyor, metal detector, and service platforms. Easy maintenance features include conveniently located grease banks and a ground access cone lubrication module.

Standard Features

- TC1300X cone crusher: standard mantle and medium coarse concave poured, oil lubrication tank with air blast cooler with piping, standard crusher tool kit and ACE 6 automated cone controls
- 400 hp (300 kW) 1800 rpm crusher motor and drive mounted with crusher on rubber isolated frame
- Oversize quick-release cone feed hopper with gated overflow chute
- 42" (1067 mm), 3-ply conveyor belt with vulcanized belt splice and primary style belt wiper driven by a 15 hp (11kW) electric motor and shaft mount gearbox
- Metal detector for off-plant feed conveyor (interlocked with off-plant feed conveyor if plant is outfitted with the optional switchgear panel); lockable stowage box for metal detector
- Service platforms with elevated deck, guard rails and access ladder
- Easy maintenance features
 - Conveniently located grease banks
 - Ground access cone lubrication module
- Emergency stop stations on both sides of frame
- Manual crank-style landing jacks

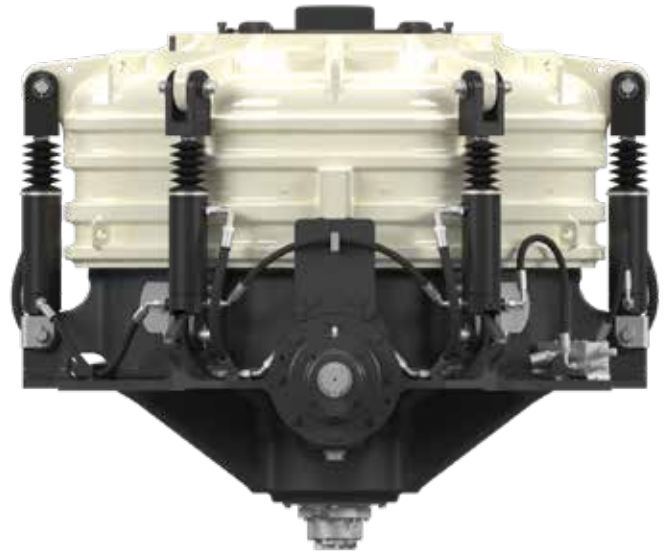


Options

- Removable electrical switchgear panel with crusher soft start and door-mounted controls, two 25 hp (20 kW) off-plant conveyor controls
- Hydraulic leveling or run-on jacks (gas, 12V powered)
- Power cables and quick disconnects
- Oversize 315/80 R22.5 tires

Cone Specifications

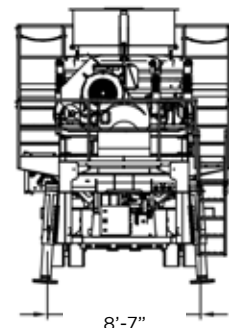
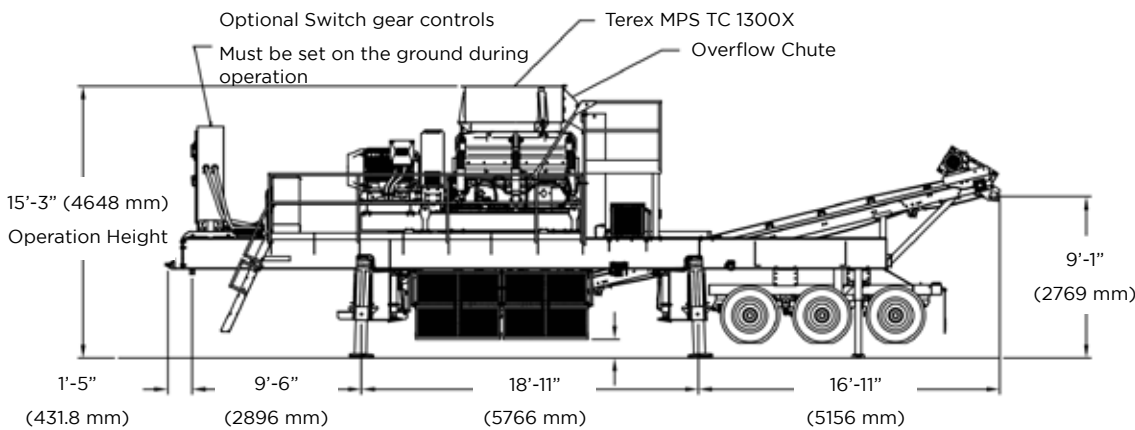
	Metric	Imperial
Motor Size	300 kW	400 hp
Cone Head Diameter (nominal)	1300 mm	51"
Maximum Feed Size	220 mm	8.5"
Maximum Closed Side Setting	50 mm	2"
Capacity @ 1" (25 mm) CSS	295 - 340 MTPH	325 - 375 STPH
Basic Crusher Weight	18,106 kg	39,917 lb
Bearing Type Thrust	Taper Roller	
Bearing Type Radial	Roller	
Adjustment	Hydraulic Cylinder	



TC1300X Cone

Note: Listed throughput capacity, maximum feed size and motor requirements are approximate and will vary depending on material properties, feed gradation, moisture content, chamber selection, feed method and other site specific operating conditions

Working Dimensions

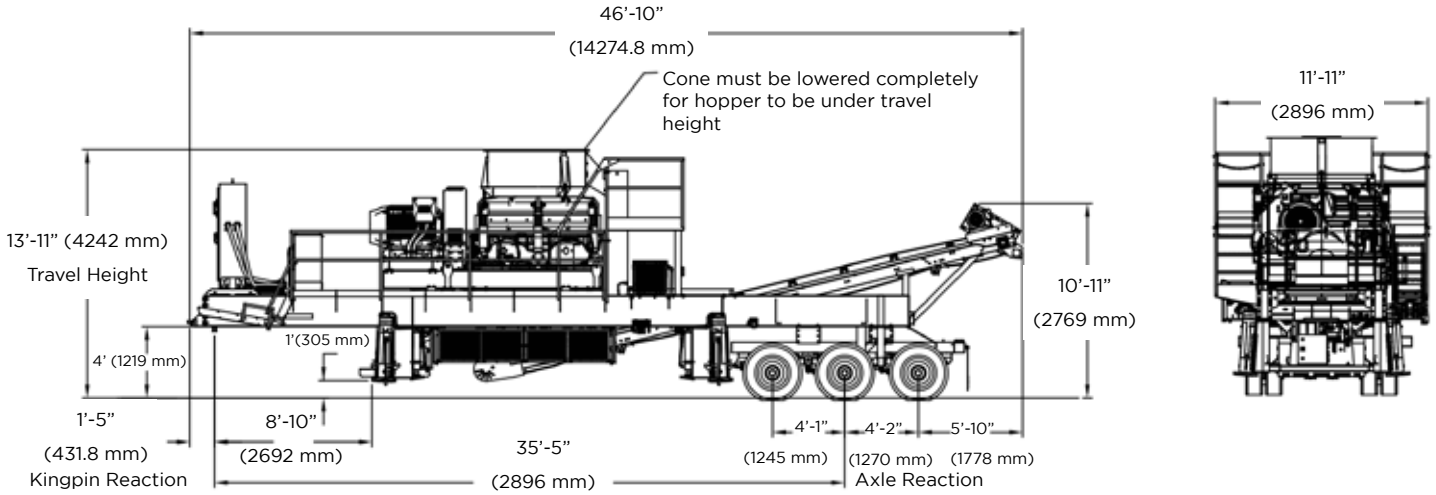


Shown with optional run-on jacks and switch gear controls.

Estimated Weights	Kingpin	Axle	Total
Base plant with optional run-on jacks and electric power panel	37,422 lb (16,974 kg)	45,522 lb (20,648 kg)	82,944 lb (37,623 kg)

8'-7"
(2616.2 mm)
Jack Location

Transport Dimensions



Power Requirements	hp	kW
Cone crusher	400	300
Undercrusher conveyor	15	11

www.terexmps.com
mpsmarketing@terex.com

Product specifications and prices are subject to change without notice or obligation. The photographs and/or drawings in this document are for illustrative purposes only. Refer to the appropriate Operator's Manual for instructions on the proper use of this equipment.

Failure to follow the appropriate Operator's Manual when using our equipment or failure to act responsibly may result in serious injury or death.

The only warranty applicable to our equipment is the standard written warranty applicable to the particular product and sale, and Terex makes no other warranty, express or implied. Terex, the Terex Crown design, Cedarapids, Canica, Simplicity, Jaques, El-Jay and Rollercone are trademarks of Terex Corporation or its subsidiaries. All rights are reserved. © November 2022

