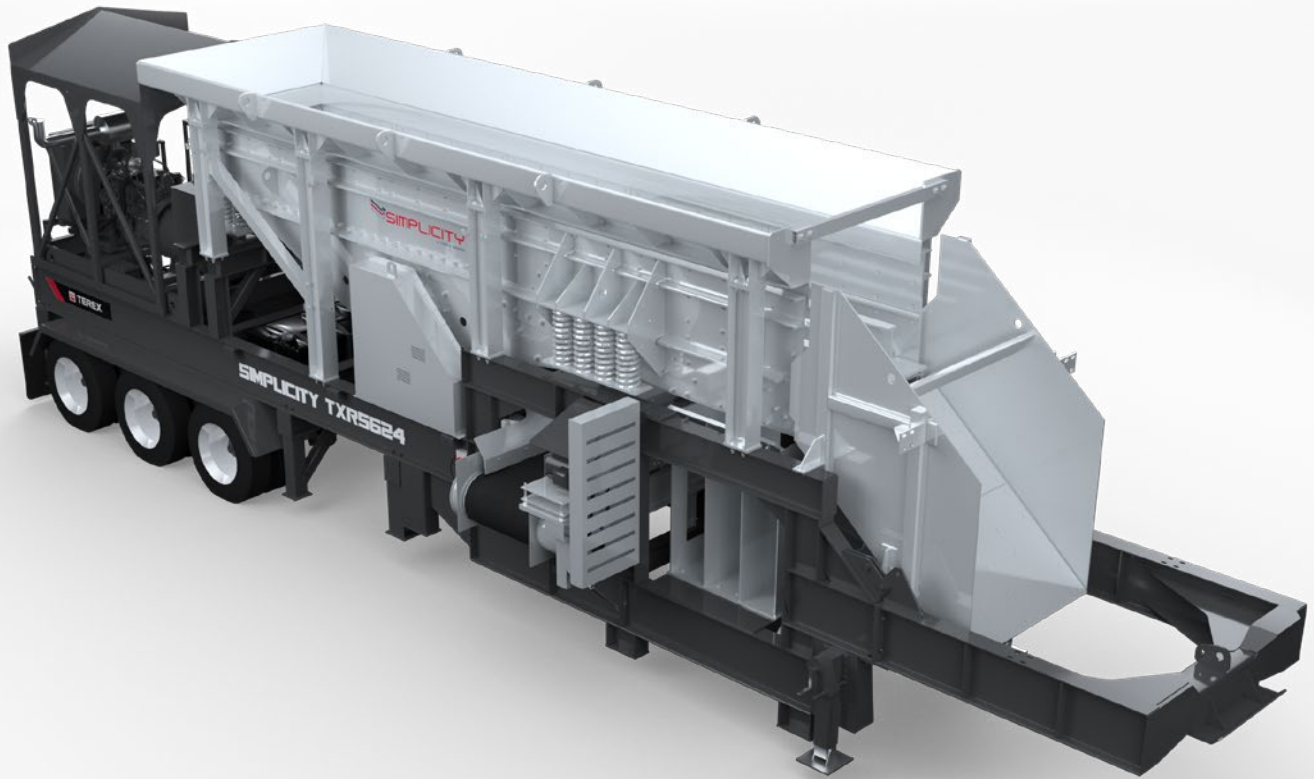




Portable Rip Rap Plant TXR5624

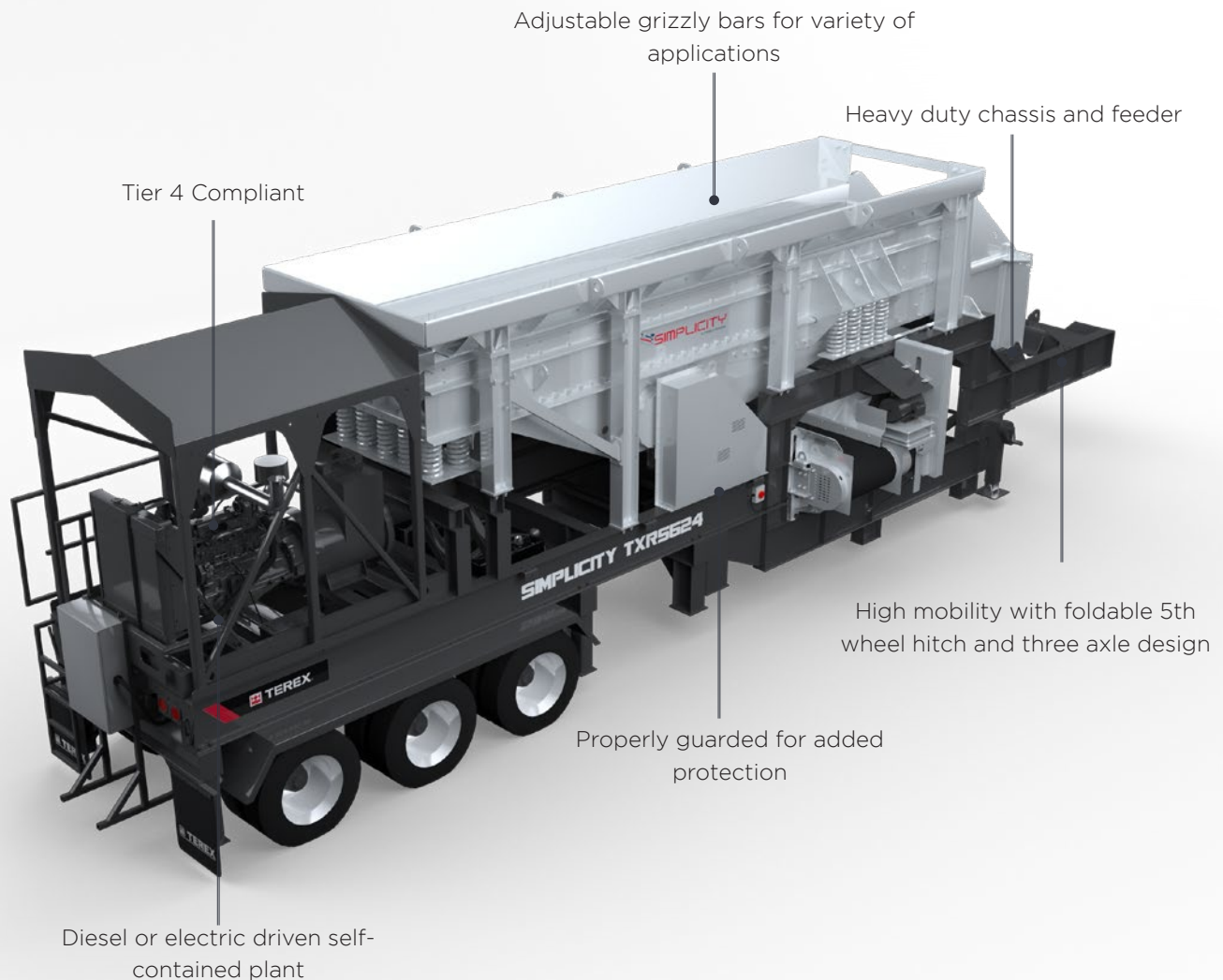


Simplicity[®] Portable Plants

TXR5624 Rip Rap Plant

The Simplicity rip rap plant offers unsurpassed quality and construction in a self-contained portable design for the toughest high production screening and scalping applications. The TXR5624 rip rap plant sets the industry standard for even the most severe applications with a wide 56" wide by 24' long Simplicity vibrating grizzly feeder, optimized for severe duty operation. With two adjustable grizzly sections mounted in a step deck configuration, the unit can be configured to perform a wide variety of material separations. Heavy duty

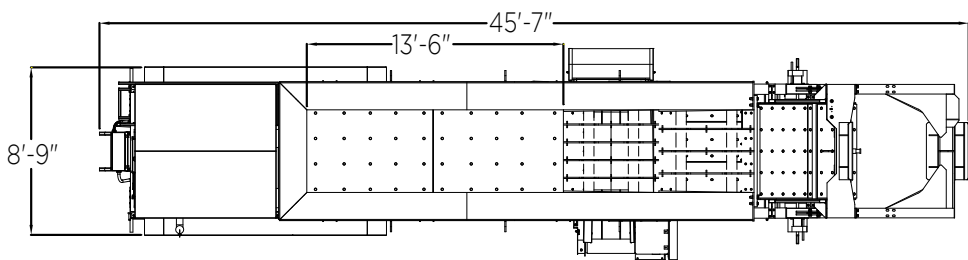
bars and liners ensure years of operation and minimal maintenance. Tall side walls in the hopper and guarded shrouds ensure maximum capacity for protection from damage. On-Plant Tier 4 generator allows for added starters to operate additional product conveyors for smooth operation and is available with an electric only option. Reversible cross conveyor and reversible heavy duty discharge chute are a standard configuration allowing you to set up the plant according to your particular layout.



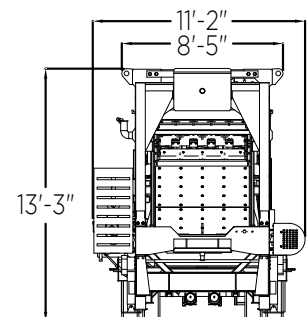
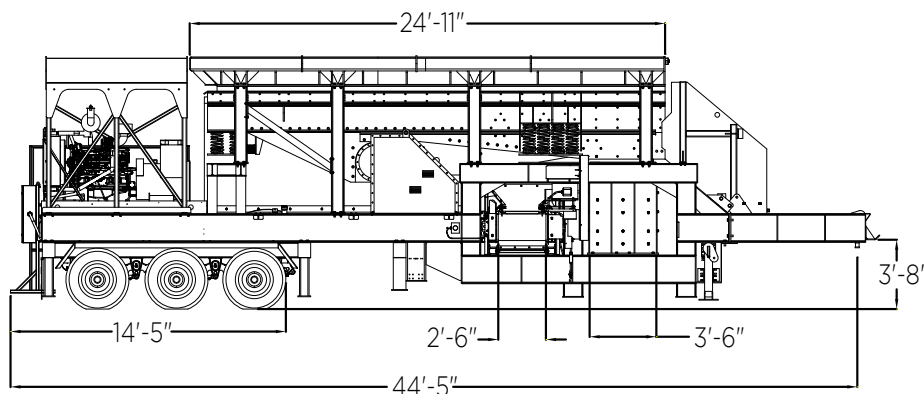
Standard Features

- 56" x 24' (1422 x 7315 mm) Simplicity vibrating grizzly feeder
 - Two 5' (1524 mm) sections of adjustable grizzly bars
- Heavy-duty 1" (25.4 mm) plate feed hopper
 - Reinforcing ribs and vertical support beams
- Main drive includes Tier 4F-compliant electric generator, fuel tank and battery box with wiring
- Complete electrical panel with operator control box, e-stops and additional ports for outboard conveyors
- 1/2" (12.7 mm) plate primary grizzly material discharge chute to product conveyor
- 3/4" (19 mm) plate secondary grizzly material discharge chute lined with abrasion resistant liners
- 1/2" (12.7 mm) plate oversized material discharge chute lined with abrasion resistant liners
- 30" (762 mm) cross conveyor with 4-ply belting
 - 5" (127 mm) diameter, Cema B troughing idlers
 - Impact bed with sliders
- Rugged I-beam portable chassis
 - Triple axle suspension with air brakes
 - Twelve tires
 - Landing jacks, jack screws and eight cribbing supports
 - Mud flaps and tail lights
 - Fold-up kingpin for run position
- Heavy-duty fender on feed side to prevent material buildup

Specifications	Dimensions		Horsepower	
Simplicity vibrating grizzly feeder	56" x 24'	1422 x 7315 mm	60 hp	45 kW
Cross conveyor	30"	762 mm	10 hp	7.5 kW



Approximate Weights		
Kingpin	28,160 lbs	12,770 kg
Rear axle	46,320 lbs	21,010 kg
Total	74,480 lbs	33,780 kg





www.terexmps.com

Product specifications and prices are subject to change without notice or obligation. The photographs and/or drawings in this document are for illustrative purposes only. Refer to the appropriate Operator's Manual for instructions on the proper use of this equipment.

Failure to follow the appropriate Operator's Manual when using our equipment or failure to act responsibly may result in serious injury or death.

The only warranty applicable to our equipment is the standard written warranty applicable to the particular product and sale, and Terex makes no other warranty, express or implied. Terex, the Terex Crown design, Cedarapids, Canica, Simplicity, Jaques, El-Jay and Rollercone are trademarks of Terex Corporation or its subsidiaries. All rights are reserved. © August 2021.

HuckBolts is a registered trademark of Arconic Fastening Systems.

